

Capacity	Accuracy	Part-Number
1t	C3	HM8-C3-1t-6.5B6
2t	C3	HM8-C3-2t-6.5B6
2.5t	C3	HM8-C3-2.5t-6.5B6
3t	C3	HM8-C3-3t-6.5B6
5t	C3	HM8-C3-5t-6.5B6
10t	C3	HM8-C3-10t-6.5B6
15t	C3	HM8-C3-15t-6.5B6
20t	C3	HM8-C3-20t-6.5B6
25t	C3	HM8-C3-25t-6.5B6
30t	C3	HM8-C3-30t-6.5B6



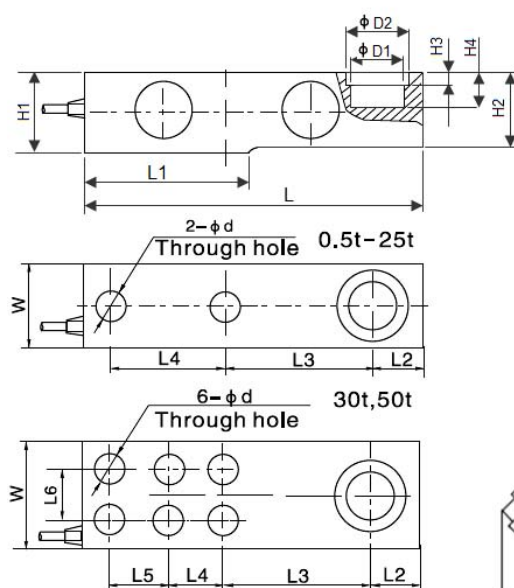
- Alloy steel IP68 single shear beam load cell
- Hermetically closed
- Suitable for truck, track, hopper and other electronic scales



## Specification:

Accuracy class		C3			
Output sensitivity (= FS)	mV/V	2.0 ± 0.002			
Maximum capacity (E <sub>max</sub> )	t	1, 2, 2.5, 3, 5, 10, 15, 20, 25, 30			
Maximum number of load cell intervals (n <sub>LC</sub> )		3000			
Ratio of minimum LC verification interval Y = E <sub>max</sub> / V <sub>min</sub>		10000			
Combined Error	%FS	≤ ± 0.020			
Safe overload	of E <sub>max</sub>	150 %			
Ultimate overload	of E <sub>max</sub>	300 %			
Zero balance	of FS	≤ ± 1.0 %			
Excitation, recommended voltage	V	5 ~ 12			
Excitation maximum	V	18			
Terminal resistance, input	Ω	350 ± 3.5			
Terminal resistance, output	Ω	352 ± 3.0			
Insulation impedance	MΩ	≥ 5000 ( at 50VDC )			
Temperature range, compensated	°C	-10 ~ +40			
Temperature range, operating	°C	-35 ~ +65			
Element material		Alloy steel			
Ingress Protection (according to EN 60529)		IP68			
Recommended torque on fixation bolts	Nm	M12:100	M14:120	M20:250	M27: M33:800-1000
ATEX classification (optional)		II1G Ex ia II1C T4	II1D Ex iaD 20 T73°C	II3G nL IIC T4	

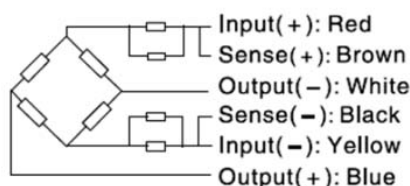
## Outline Dimensions in mm



Cap.	H1	H2	H3	H4	∅D1	∅D2	∅d	W	L	L1	L2	L3	L4	L5	L6
1t-2t	43	37	12.5	30	16	32	13	37	203	95	22	98	64		
2.5t	43	37	12.5	30	16	32	15	37	203	95	22	98	64		
3t	43	37	12.5	25	16	32	15	37	203	95	22	98	64		
5t	52	48	12.5	30	22	38	21	48	235	110	22	124	66		
10t	67	60	8.5	20	32	48	28	60	279	133	32	140	82		
15t	67	60	8.5	20	32	54	28	60	279	133	32	140	82		
20t, 25t	82.5	70	10	24	38	54	34	70	318	153	38	159	89		
30t	115	90	14	32	38	54	26	96	374	189	44.5	181	76	51	46

### Wiring:

- Shielded, 6 conductor cable: ∅6.2mm.
- Standard cable length: 6.5m.
- Cable type and length for customer's own application are available on request.
- Shield is not connected to element.



Recommended accessory HY-8-101			
Capacity	∅D	H	H1
0.5t-3t	35	44.9	24.9
5t	42	56.7	34.7
10t-15t	57	80.7	66.7
20t-25t	70	85	67
30t	70	91	70
50t	85	102	82